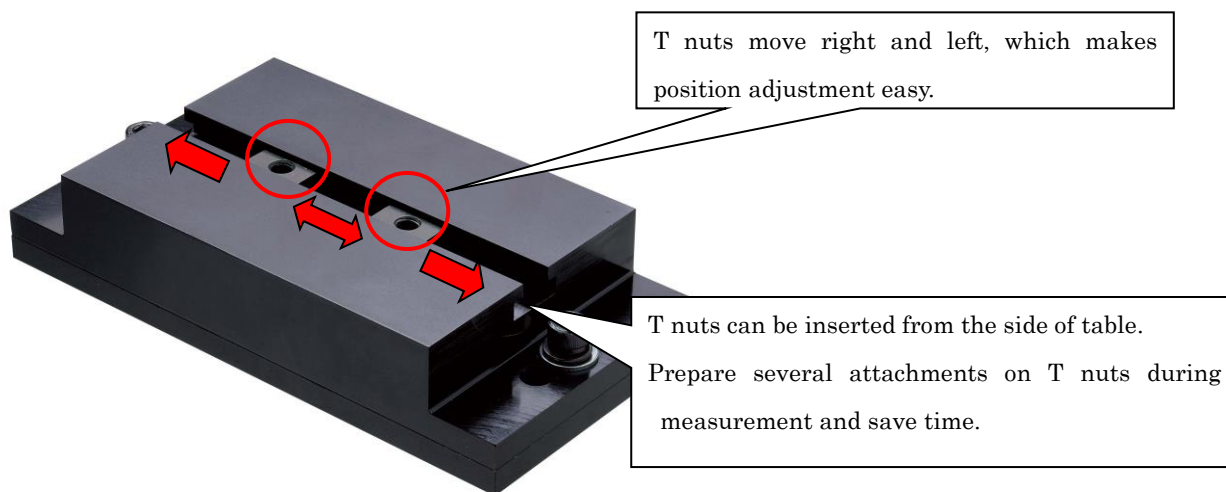


T-Slot Table TS-5000N

Easy attachments setting.

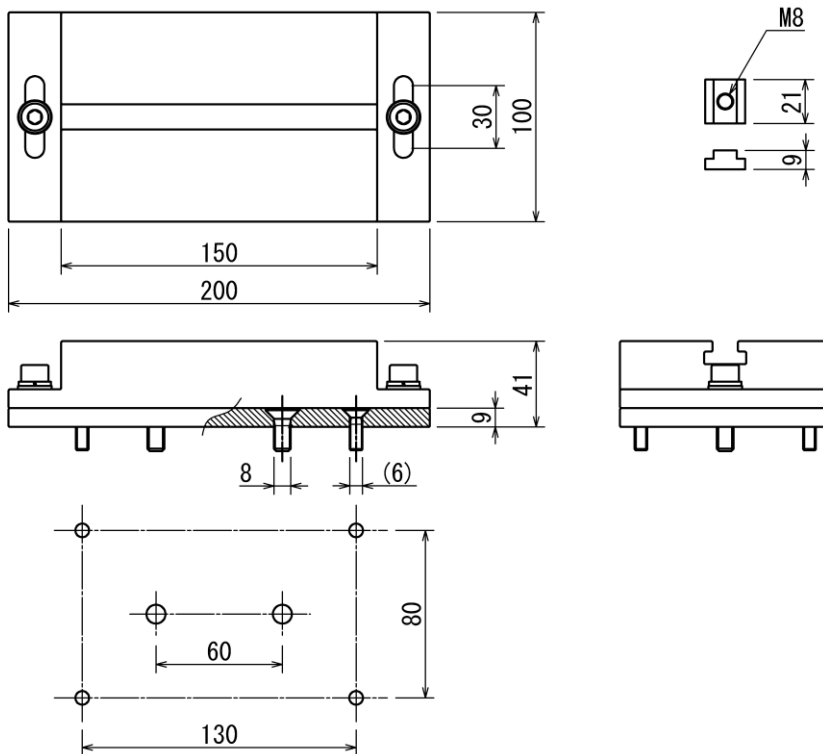
Easy to adjust the positions of vise jigs and attachments.



Specifications	
Model	TS-5000N
Capacity	2000N (In case using two T nuts and vise jig: 5000N)
T nut screw size	M8 (two T nuts are included.)
X Stroke	+/- 64mm
Distance of T nuts	Max. 125 mm
Y Stroke	+/- 15mm
Dimensions	Refer to the dimension picture below
Weight	Approx. 5300g
Fixable Test Stands	Motorized Model MX-500N, MX2-500N, MX2-1000N, EMX-1000N, MX2-2500N, MX-5000N
	Manual Model HV-500NIL, SVL-1000N, SVH-1000N, HV-1000N, HV-3000N

Related products		
Optional T nut Model: TS-ST5	Screw Adapter for M6 attachment Model: CA-8T6	Screw Adapter for M6 attachment Model: CA-8T10
T nut for replacement	Adapter for mounting of M6 attachments to T nut. (Capacity: 500N)	Adapter for mounting of M10 attachments to T nut. (Capacity: 2000N)

[Dimensions]



[Caution]

- *The contents may be changed without notice in advance.
- *The force gauges and the test stands (both are not included) are needed to use this product.
- *This product is for force measurement purpose. Do not use for another purpose.
- *DO not copy and use this content without authority.

Please feel free to contact us for measurement solutions, distributor's information in your country, and so on.