

Coating Surface Peeling Test Attachment TH series

Bond a test dolly on coating surface and pull it off to measure peeling strength of the coating. It is capable of measurement partly conforming to JIS and ISO.




TH-5000N-20







Using image

[Features]

The bonded test dolly is easy to mount by the pin.	Measurement conforming to standard
	<p>“JIS K 5600-5-7 : Testing methods for paints – Part 5 : Mechanical property of film – Section 7 : Adhesion test (Pull-off methods)” and “ISO 4624 Paints and varnishes–Pull-off test for adhesion”</p> <p>*The published year of the standard is different on the each model (Please refer page 2).</p>

[Example of System Configuration]

	Attachment	Force gauge	Test stand	Cable
1000N capacity	TH-1000N-7 or TH-1000N-20	ZTA(ZTS)-1000N	MX2-1000N	CB-518
5000N capacity	TH-5000N-20	ZTA(ZTS)-5000N	MX-5000N-E	CB-508
Product images * The shape is different on the product and the range.				

*The above configuration activates Overload prevention at measurement (There is no guarantee of complete prevention of the sensor breakdown.).


*Please select the appropriate range of a force gauge and a test stand.

[Specifications]

		TH-1000N-7	TH-1000N-20	TH-5000N-20
Upper attachment	Capacity	1000N	1000N	5000N
	Shape for bonding	Diameter 7mm round shape	Diameter 20mm round shape	Diameter 20mm round shape
	Weight	Approx.40g	Approx. 90g	Approx. 195g
	Mounting screw	M6	M6	M10
Bottom attachment	Center hall	Diameter 30mm	Diameter 30mm	Diameter 30mm
Accessories		Upper and bottom attachment Spare test dollies (10pcs)	Upper and bottom attachment Spare test dollies (5pcs)	Upper and bottom attachment Spare test dollies (5pcs)
Standard		JIS K 5600-5-7(2014) ISO 4624(2002)	JIS K 5600-5-7(1999) ISO 4624(1978)	JIS K 5600-5-7(1999) ISO 4624(1978)

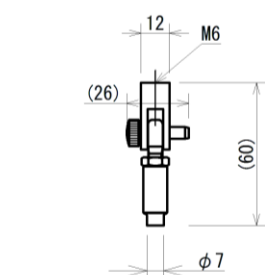
* Adhesive is not included (Suitable adhesive is cyanoacrylate, two-liquid non-solvent epoxide, or peroxide catalyst-type polyester, according to JIS and ISO).

[Spare parts] You can purchase only test dollies as spare parts.

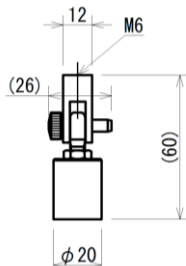
Model	Includes	Picture
THC6-7	10 pcs of test dollies (for TH-1000N-7: Mounting screw M6)	
THC6-20	5 pcs of test dollies (for TH-1000N-20: Mounting screw M6)	
THC10-20	5 pcs of test dollies (for TH-5000N-20: Mounting screw M10)	

[Dimensions] TH-1000N-7

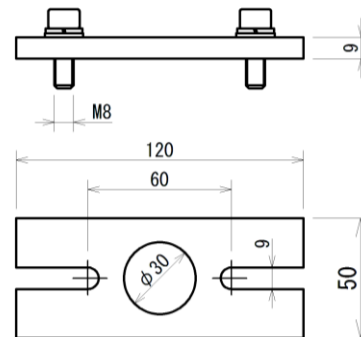
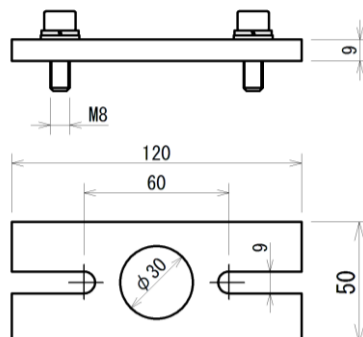
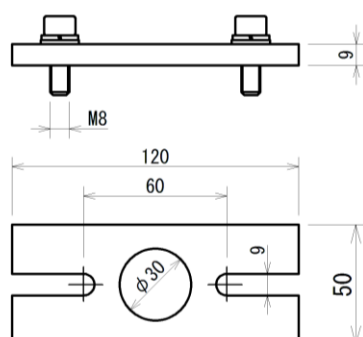
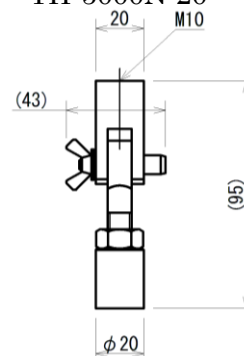
(Unit: mm)



TH-1000N-20



TH-5000N-20



[Caution]

- The contents may be changed without previous notice.
- All of products are designed for measurement purpose only.
- Force gauges and test stands are not included but necessary to carry out tests.
- Do not copy and use this content without authority.

Please feel free to contact us for measurement solutions, distributor's information in your country, and so on.