


Accessories for Food Rheology Tester

For compression tests 2

Special shaped series (Pin vice, Yoghurt knife, Bend table)

Special shaped probes and tables are available for compression tests. We offer various kinds of accessories such as Pin vice suitable for sticking tests, or Bend table fit for flexure tests.

Pin vice(FR-CP-3)

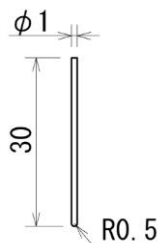
	Feature	
	It is suitable to measure force to stick packaging material such as film for Retort pouch.	
	Sample examples	
	Retort pouch, plastic for packaging, skin of fruits and so on	
	Japanese Industrial Standard	
	JIS Z1707	Plastic film for packaging of food (Ø10)

[Measurement / Application example]

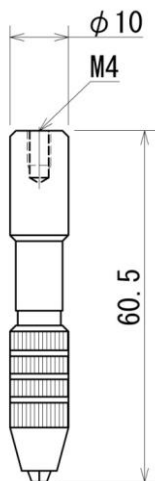


- 1 Stick guide plate (FR-KP series)
- 2 Sample holder table (FR-UP-D)

[Dimension/Specifications]



Pin	Diameter	Ø1
	Length	30
	Point R	R0.5
	Material	Stainless steel
	Capacity	20N




The parts of Pin vice	Grip diameter	Ø0~Ø3.2
	Material	Steel
	Weight	24g

*3 pins are included

*unit: mm

*We will provide made-to-order sizes of all probes and tables if required

Yoghurt cutter (FR-YN-29)

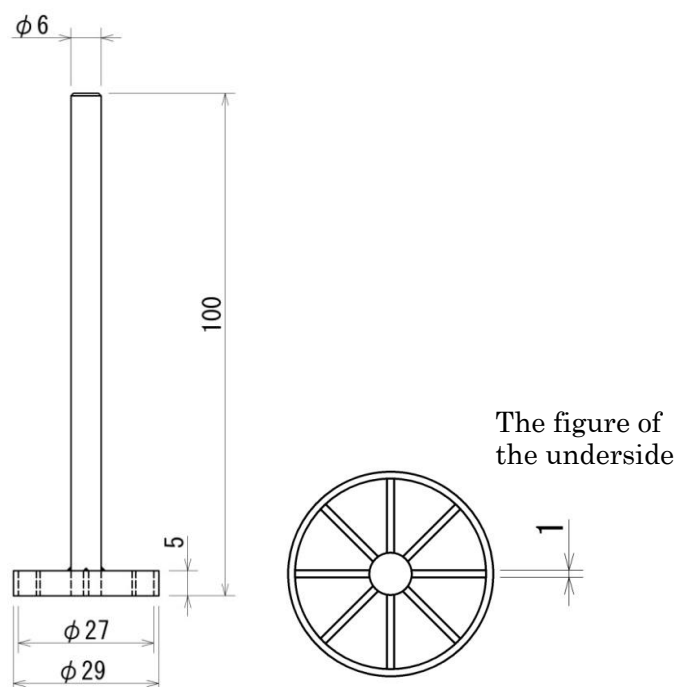
	Feature
	With Yoghurt cutter, elasticity or stiffness of semi-solid sample such as yoghurt can be measured.
	Sample examples
	Yoghurt, pudding, jelly and so on.

[Measurement / Application example]



1 Container holder table
(FR-GB-60)

[Dimension]



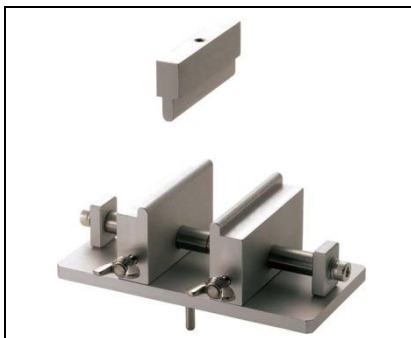
[FR-YN-29 Specifications]

Outside diameter	29
Height of the circle	5
Thickness of the circle plate	1
Material	Stainless steel
Weight	29g
Capacity	50N

*unit: mm

*We will provide made-to-order sizes of all probes and tables if required

Bend Table for FRT (FR-TP-60)

	Feature
	It is suitable to measure force to bend long or flat samples, that is flexure tests.
	Sample examples
	Stick shaped vegetables/confectionary, thin and flat samples

[Measurement example]

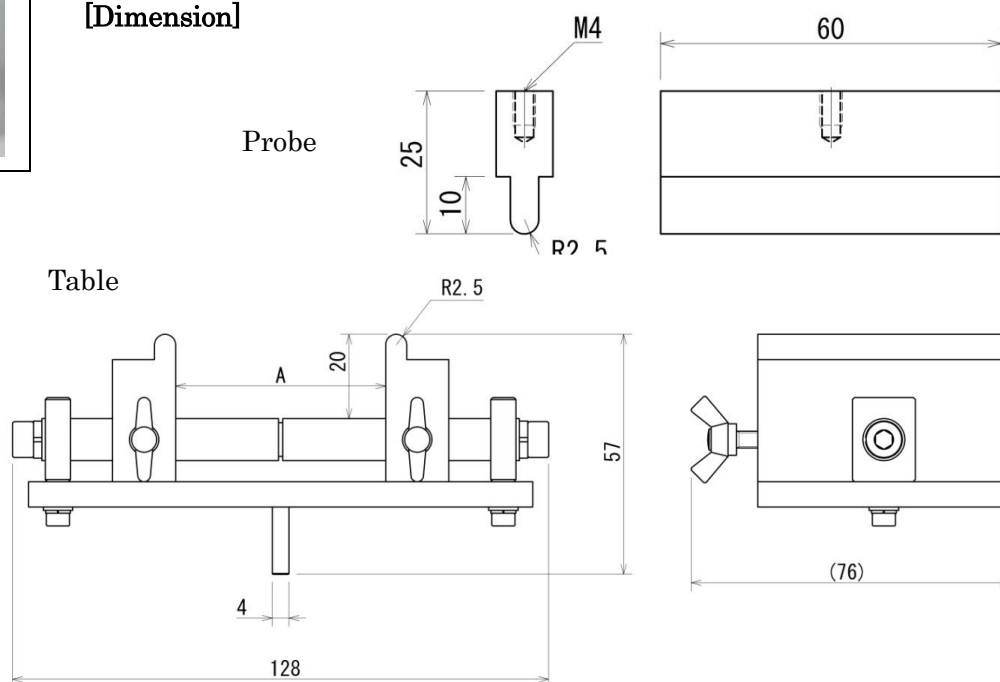


[FR-TP-60 Specifications]

Probe	The point	R2.5
	Material	Aluminum
	Weight	32g
Table	Opening width A	5~70
	Material of blocks	Aluminum
	Point of a block R	R2.5
	Capacity	100N

*unit: mm
 *We will provide made-to-order sizes of all probes and tables if required

[Dimension]



[Cautions]

- *The contents may be changed without notice in advance.
- *These products are designed for measurement purpose only.
- *Do not copy the contents without permission.