

# Torque Gauge/ Motorized Torque Stand Table Attachments

The table attachment holding the sample with the four pins. The pins can be changed depending on the sample.

## ◇How to mount the tables

### HTGA/HTGS/eHT series



Prepare the table.



Insert the table

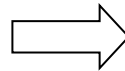


Turn screw by attached L wrench

### DTXA/DTXS series

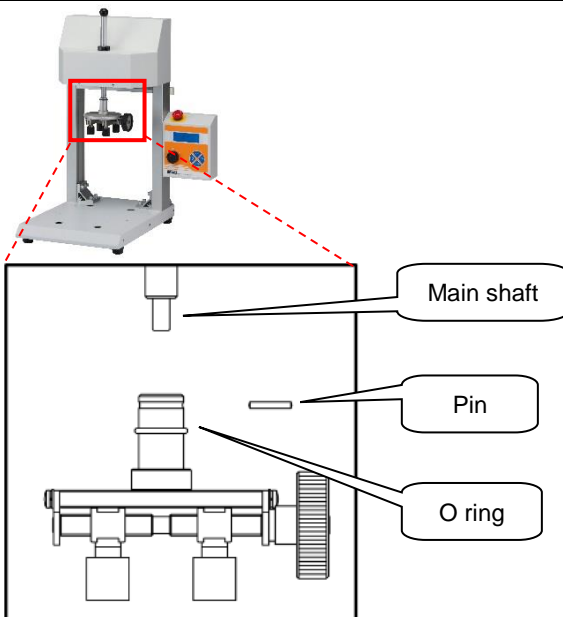


Prepare the table.



Insert the table.

### MTS series (the upper chuck attachment)







#### Mount the suitable chuck attachment for the measurement needs

1. Move the included in main shaft in MTS series to the place the user works smoothly.
2. Move the O ring of the attachment and extract the pin.
3. Insert the attachment at the tip of main shaft and insert the pin extracted at Step 3.
4. Back the O ring to the first position.

We accept custom orders of creating original attachments for the sample.

◇Standard table (for DTX series)

Standard table	Pin	Feature	The combination model of the table and the pins at purchase.	The pin model at purchase(*)
	 Standard pin	The table is available for $\phi 20\text{mm} \sim \phi 160\text{mm}$ samples such as PET bottles, cans, bins and so on. Capacity: 10N-m. Allowable sample diameter : $\phi 20\text{mm} \sim \phi 160\text{mm}$ Material: Stainless-steel and Urethane	DT-TB	TB-P
	 Notch pin	Ideal for slippery samples such as aluminum cans, plastic containers and so on. Capacity: 10N-m. Allowable sample diameter : $\phi 20\text{mm} \sim \phi 160\text{mm}$ Material: Stainless-steel	DT-TB-01	TB-01P
	 Long clamp pin	Ideal for tall samples such as circuit boards, camera lenses, liquor bottles and so on. Capacity: 10N-m. Allowable sample diameter : $\phi 20\text{mm} \sim \phi 160\text{mm}$ Material: Stainless-steel and Urethane	DT-TB-02	TB-02P




\*The pins are sold as a four-piece set.

[Combination model list of DTXA/DTXS, Standard table and each type pin]

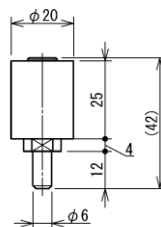
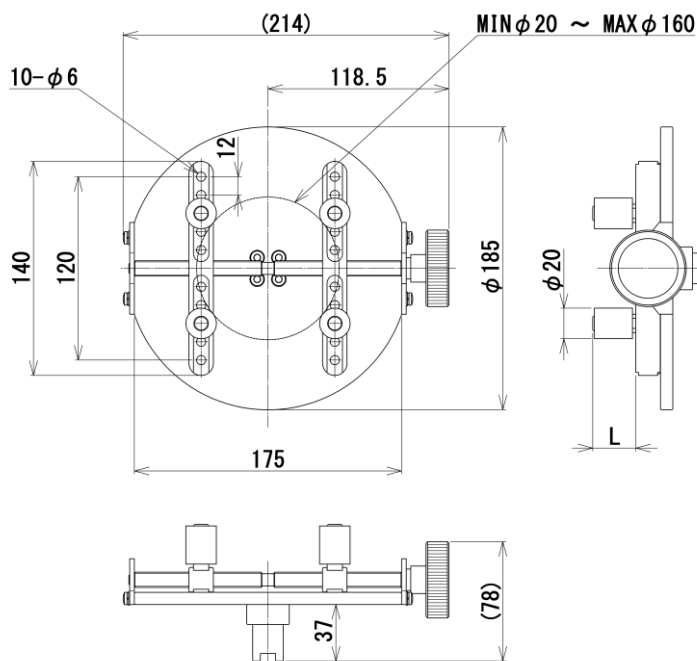
	Model
Standard pin	DTXS- $\circ\circ$ N or DTXA- $\circ\circ$ N
Notch pin	DTXS- $\circ\circ$ N-TB-01 or DTXA- $\circ\circ$ N-TB-01
Long clamp pin	DTXS- $\circ\circ$ N-TB-0 or DTXA- $\circ\circ$ N-TB-02

\*Please choose  $\circ\circ$ N from 2N, 5N or 10N.

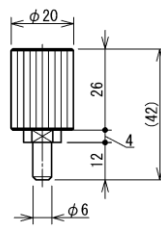
Using Image

 Step 1: Insert the pins	 Step 2: Hold the sample. Put the sample on the table and turn the side dial.	 Step 3: measure the torque by turn the sample ( in this case the cap)
--	---	--

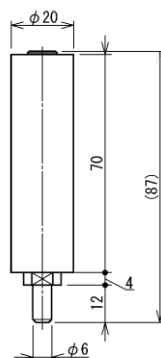
(Unit: mm)



TB-P




TB-01P



TB-02P

Sample stage TB-SP (for DTX series standard table)

	Feature
	The stage making samples stable.

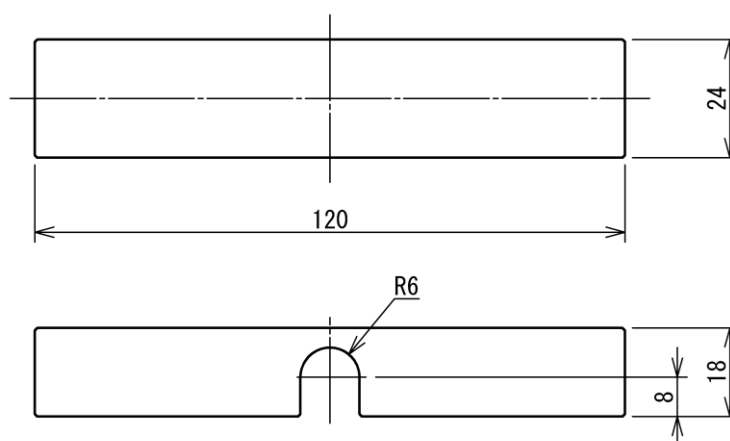
[Using image]







Put the stage under the sample.

[Dimensions]

(Unit: mm)



◇Small table(DTX series, HTG series or MTS series upper chuck attachment)

Small table	Pin	Feature	The combination model of the table and the pins at purchase.	The pin model at purchase(*)
	 Standard pin	Ideal table attachment for small sample opening torque such as an eye drop bottle, a key and so on. Capacity : 5N-m Allowable sample diameter: $\phi 7\text{mm} \sim \phi 50\text{mm}$ Material: Stainless-steel and Urethane	HT-ST (*1) (for HTG/eHT series) DT-ST (for DTX series) MT-ST (for MTS series upper chuck attachment)	ST-P
	 Notch pin	Ideal pin for holding sample tightly. Especially, for a connector. Capacity : 5N-m Allowable sample diameter: $\phi 7\text{mm} \sim \phi 50\text{mm}$ Material: Stainless-steel	HT-ST-01 (*1) (for HTG/eHT series) DT-ST-01 (for DTX series) MT-ST-01 (for MTS series upper chuck attachment)	ST-01P
	 Long clamp pin	Ideal for cosmetic bottles, doorknobs, electric bulbs and so on. Capacity : 5N-m Allowable sample diameter: $\phi 7\text{mm} \sim \phi 50\text{mm}$ Material: Stainless-steel and Urethane	HT-ST-02 (*1) (for HTG/eHT series) DT-ST-02 (for DTX series) MT-ST-02 (for MTS series upper chuck attachment)	ST-02P



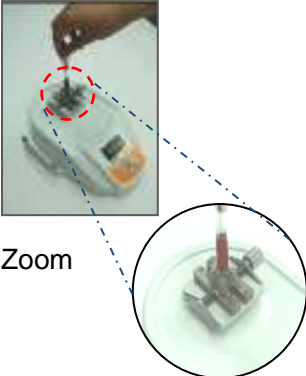
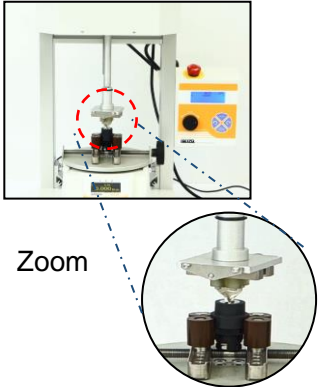
\*The pins are sold as a four-piece set.

\*1 They cannot be used for HTGS/HTGA/eHT-0.5N.

[Combination model list of DTXA/DTXS series, Small table and each type pin]

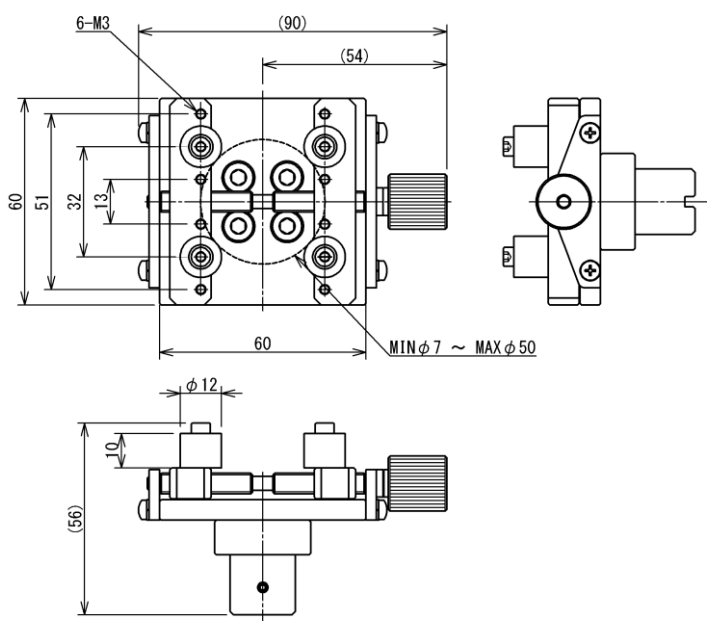
Standard pin	DTXS- $\circ\circ$ N-ST or DTXA- $\circ\circ$ N-ST
Notch pin	DTXS- $\circ\circ$ N-ST-01 or DTXA- $\circ\circ$ N-ST-01
Long clamp pin	DTXS- $\circ\circ$ N-ST-02 or DTXA- $\circ\circ$ N-ST-02

Please choose  $\circ\circ$ N from 2N or 5N.

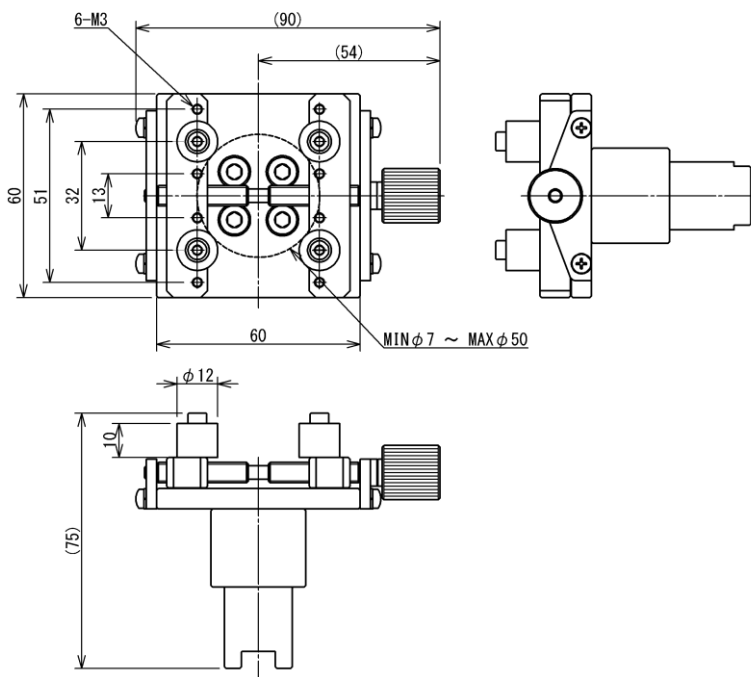
How to mount the pins	Using image		
 Fix the pins by fastening screws with a wrench before mounting on the sensor.	<b>HT-ST series</b>  Torque measurement for a doorknob.	<b>DT-ST series</b>  Zoom Torque measurement for a ball-point pen cap.	<b>MT-ST series</b>  Zoom Torque measurement of a key.

[Dimensions] (Unit: mm)

[HT-ST](Small table for HTG/eHT series)

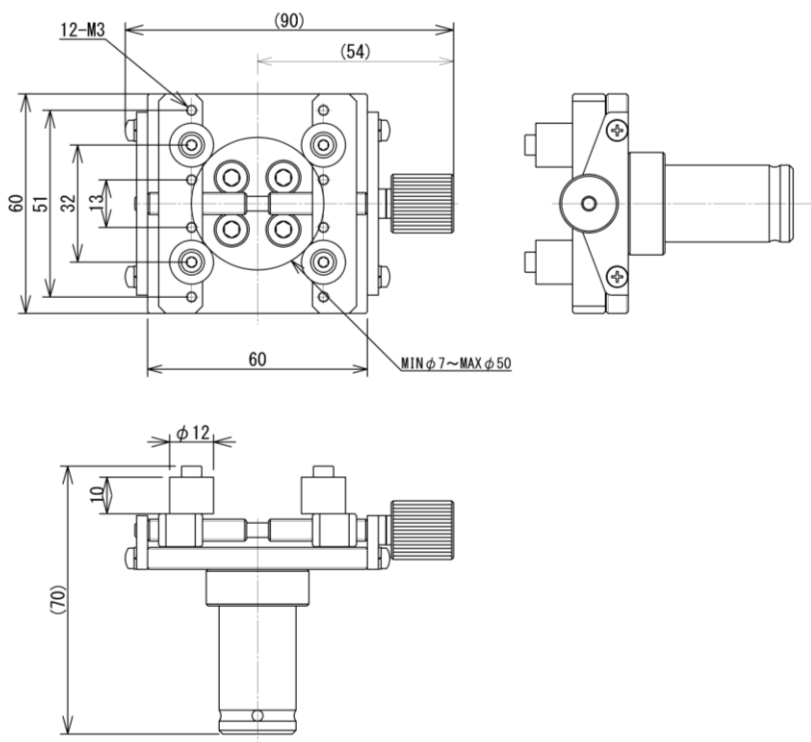


[DT-ST](Small table for DTXS/DTXA series)

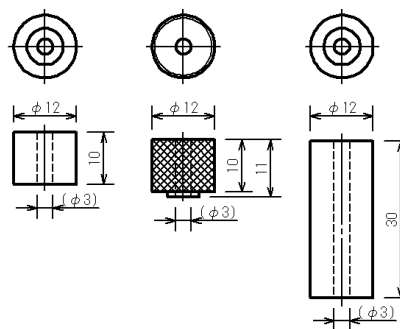


[MT

-ST](Small table for MTS series)



ST-P    ST-01P    ST-02P



**[Cautions]**

- The contents may be changed without previous notice.
- All of products are designed for measurement purpose only.
- Do not copy and use this content without authority.
- Please note if you add load over capacity, its sensor would be broken down.