

---

**Compression Test Jig / SQ-5000, PC-5000, SP-5000 Series**

**Variety of shape for compression test**



SP-5000 series



SQ-5000 series



PC-5000 series

**[Applications]**

The compression test jigs are installed on the Imada's force gauge for compression test of various test pieces.

**[Feature]**

Since a head can be shaken in the range of 15 degrees of front and rear, right and left, it can be adhered to a sample.

According to a usage, the compression tips of various form can be replaced by magnet adoption. (SQ-5000 & PC-5000 series)

## [Specifications]

## Common

Capacity	5000 N
Mounting screws	M10 P1.5

## SQ Series (Square)

Model	SQ-5030	SQ-5075	SQ-5150
Board attachment part	M5Nut	32mm diameter (Magnet)	32mm diameter (Magnet)
Measurement (W×D×H)	30×20×(35) mm	75×50×(31) mm	150×100×(31) mm
Weight	65 g	500 g	1560 g

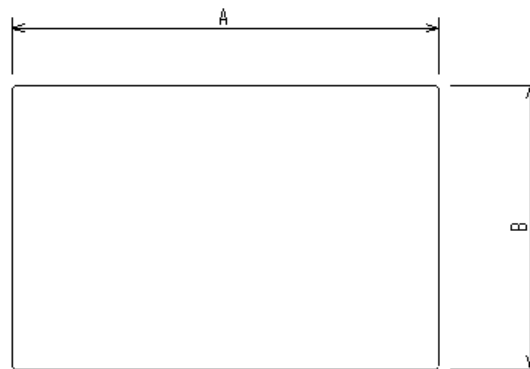
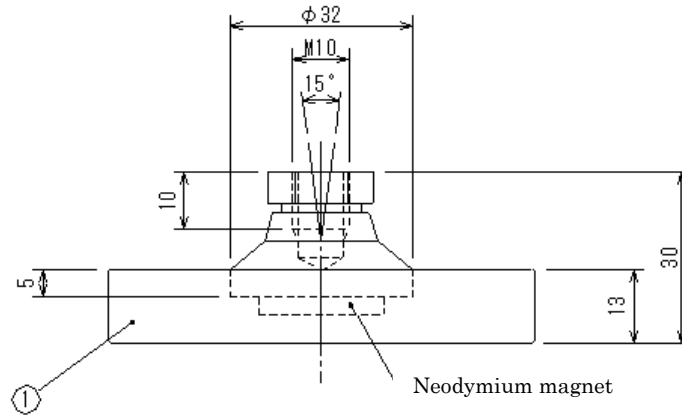
## PC Series (Column)

Model	PC-5040	PC-5060	PC-5100
Board attachment part	32mm diameter (Magnet)	32mm diameter (Magnet)	32mm diameter (Magnet)
Measurement(W×D×H)	40mm diameter ×(31)mm	60mm diameter ×(31)mm	100mm diameter ×(31)mm
Weight	160 g	330 g	820 g

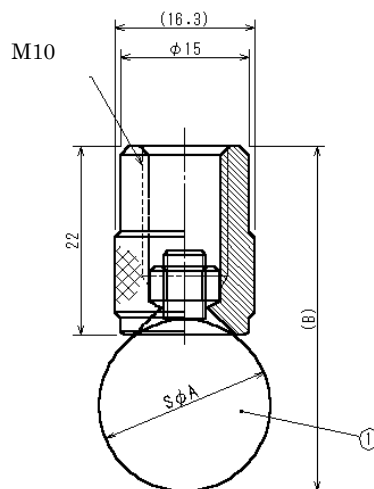
## SP Series (Sphere)

Model	SP-5010	SP-5020	SP-5030
Board attachment part	M5(Nut)	M5(Nut)	M5(Nut)
Measurement(W×D×H)	S10mm diameter ×(30)mm	S20mm diameter ×(40)mm	S30mm diameter ×(50)mm
Weight	26 g	55 g	135 g

[Dimension]



SQ-5000 series



SP-5000 series

[Note]

- Particular materials and shape can not be used.
- Combining with Imada's test stand, more stable measuring becomes possible.
- All information is subject to change without prior notice.